

Dibber / Spacer Design and Use Guide For the intensive gardening method



Copyright © 2025 Gary Dickenson / Baltic Homesteaders. This design file is licensed for a single, non-commercial use. Reproduction, distribution, or resale of this file or any derivative works is strictly prohibited.

This license grants the user a non-transferable, non-exclusive right to use the Dibber Spacer solely for their own internal purposes. This license does not permit the user to sell, lease, sublicense, or otherwise distribute the Dibber Spacer to any third party.

Intensive Gardening Dibber / Spacer

The tool has 2 parts to it and is used in 2 use cases. The first use is to make rows to sow seeds in such as carrots and the second use is as a dibber to mark holes for transplanting seedlings. Transplant sizes will determine whether holes need expanding.

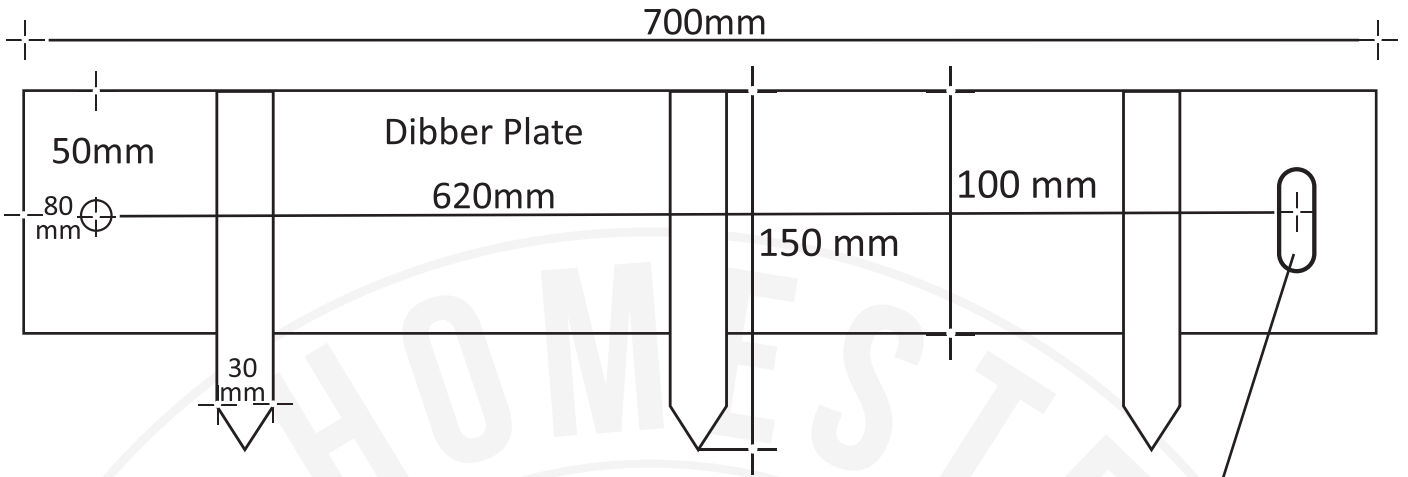
The 2 parts consist of a handle and head component and the dibber plates themselves (4 plates). Each plate will space a variety of vegetables.

This tool is designed for standard market garden sized beds at 75cm (30"). I used to have a little ear to mark the bed edge but found it wasn't needed.

NB the spacings are not based on seed packet or industry standard practices but on my personal experience and experimentation.



Overview



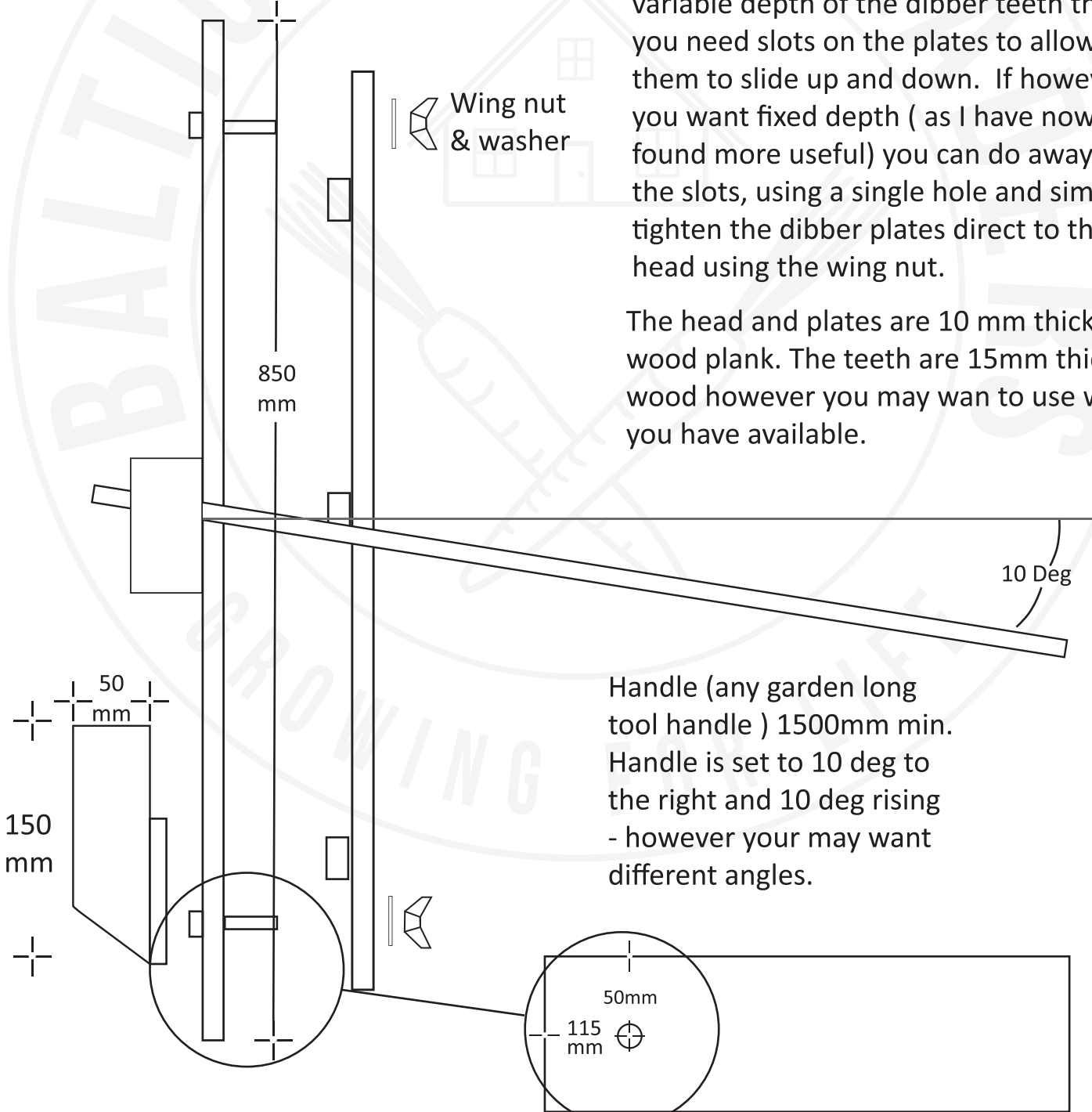
Head & Handle

Dibber Plate

For row making: If you want the option of variable depth of the dibber teeth then you need slots on the plates to allow them to slide up and down. If however you want fixed depth (as I have now found more useful) you can do away with the slots, using a single hole and simply tighten the dibber plates direct to the head using the wing nut.

The head and plates are 10 mm thick wood plank. The teeth are 15mm thick wood however you may want to use what you have available.

Wing nut & washer

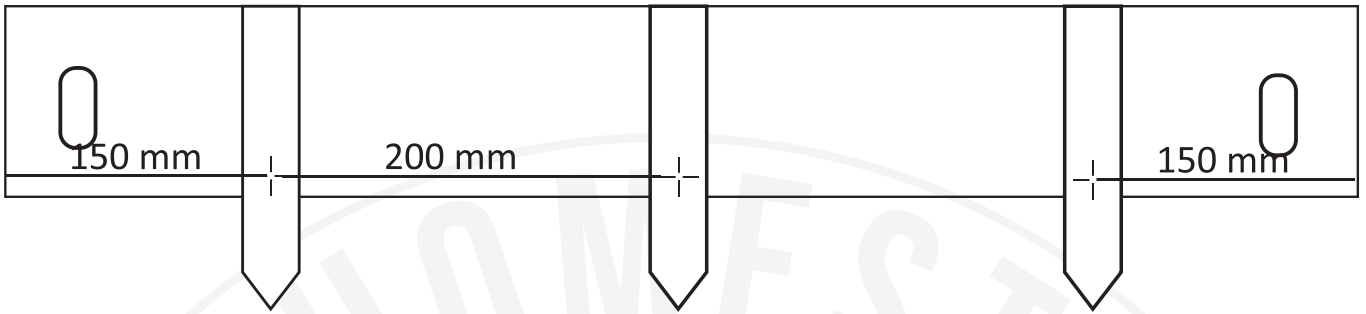


10 Deg

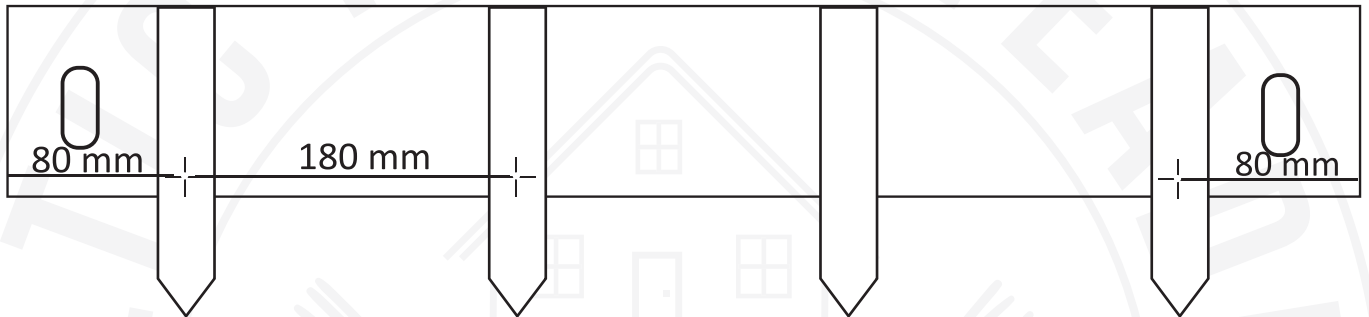
Handle (any garden long tool handle) 1500mm min. Handle is set to 10 deg to the right and 10 deg rising - however your may want different angles.

Dibber Plates

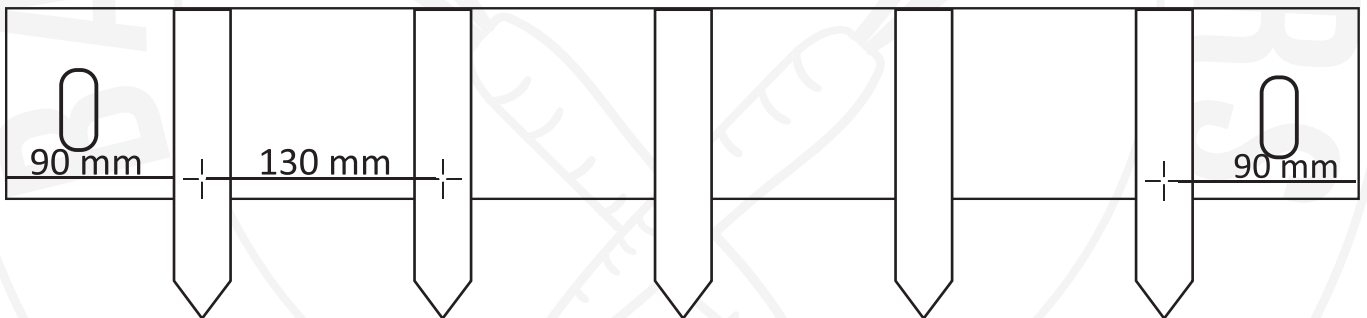
3 Tooth dibber plate



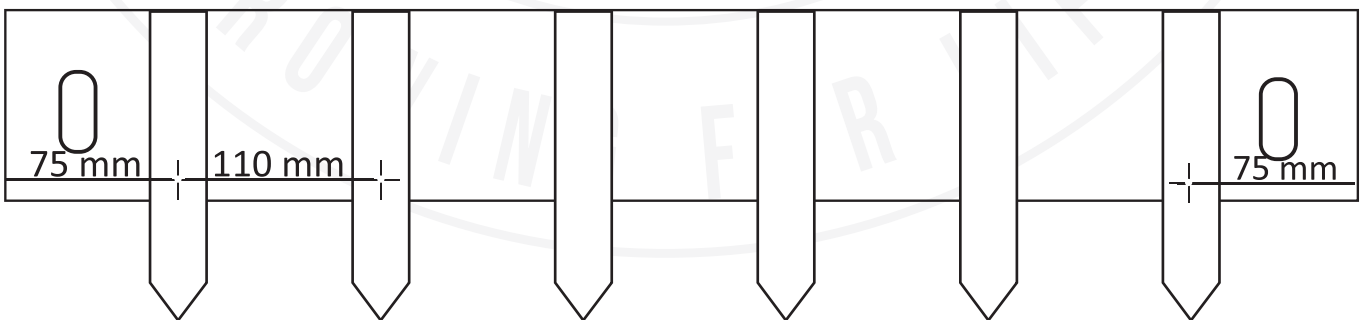
4 Tooth dibber plate



5 Tooth dibber plate

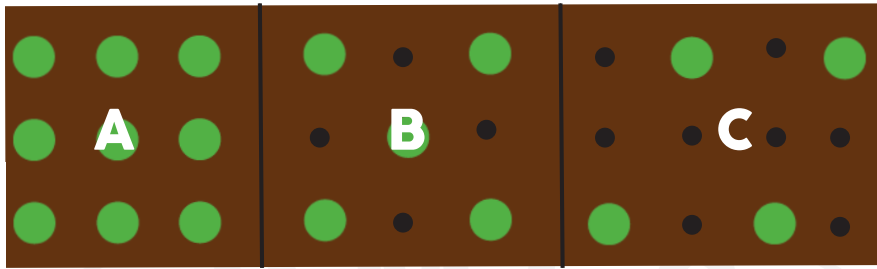


6 Tooth dibber plate



Examples of Use

3 Tooth dibber plate



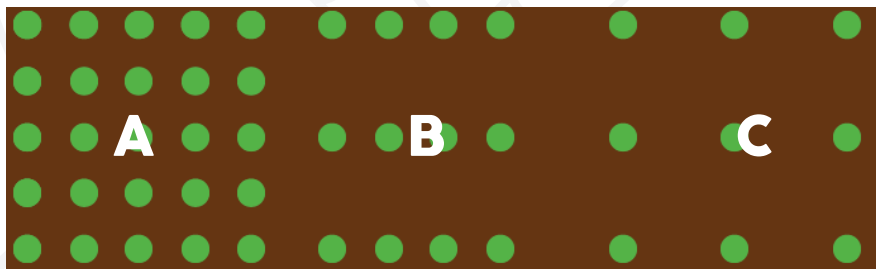
- A: Swedes, Parsnips, head lettuce/larger lettuce, sweetcorn
B: Bush Beans,
C: Larger leafy Brassicas,

4 Tooth dibber plate



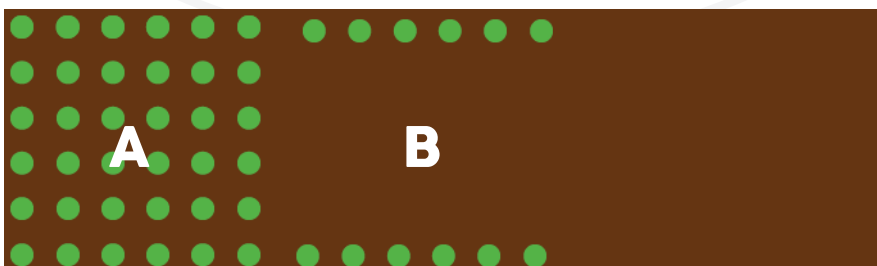
- Multi sown (MS) beets or single large beets, MS shallots, chard (mangolds), Pak Choi, small lettuce, MS leeks, Spinach, broadbeans (deeper holes needed), larger Spanish onions, MS turnips

5 Tooth dibber plate



- A: Onions, single beets, carrots (direct sown using as row maker),
B: Broadbeans (if wanted 3 rows)
C: Some cut flowers - sunflowers

6 Tooth dibber plate



- A: Peas(self supporting), French Radish, Dill(DS)
B: Tall peas on a frame